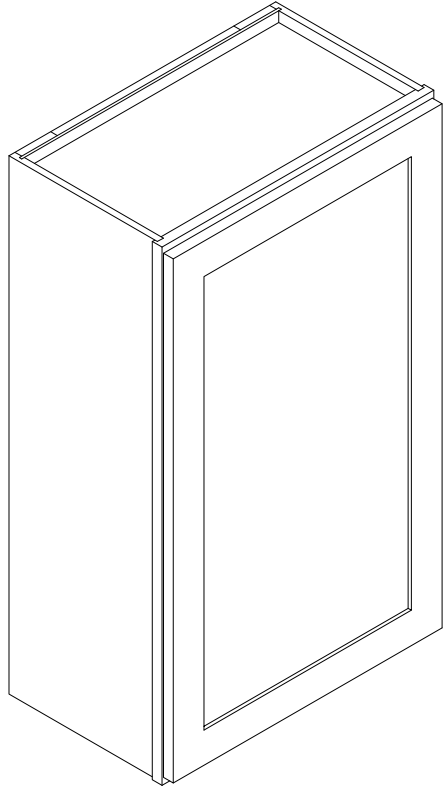


# ASSEMBLY INSTRUCTIONS

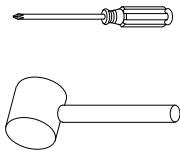
W0939/W1239/W1539/W1839/W2139



## Parts list

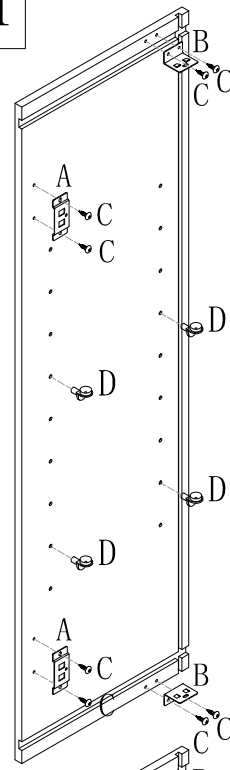
NO.	Parts	QTY
A		8
B		8
C		40
D		8

## Tools (required but not provided)

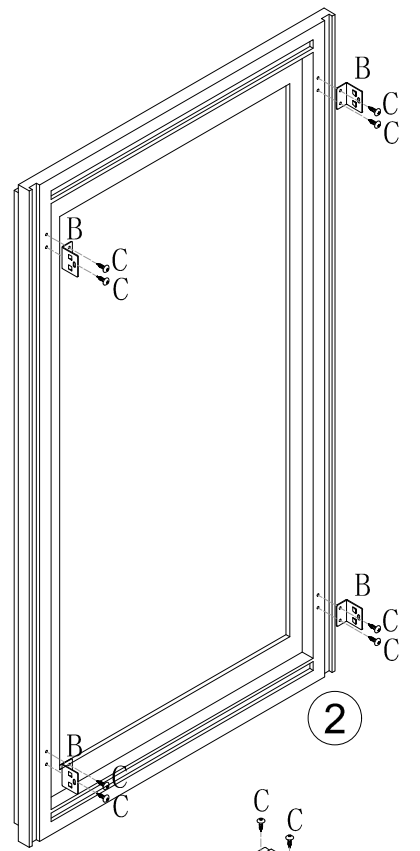


## Step 1

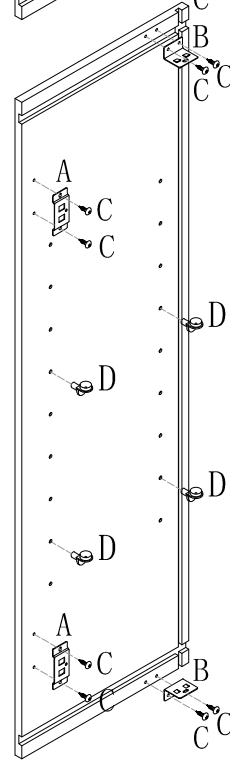
1



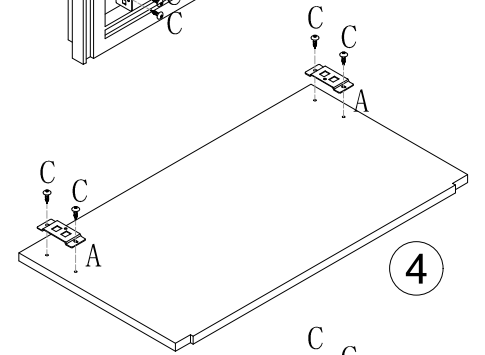
2



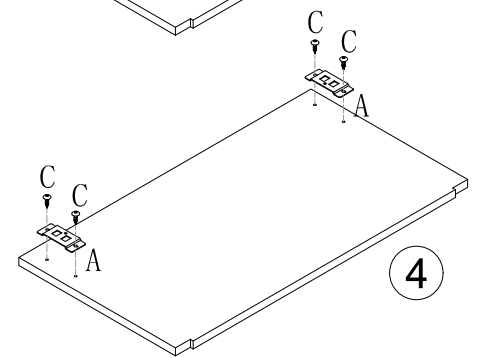
1



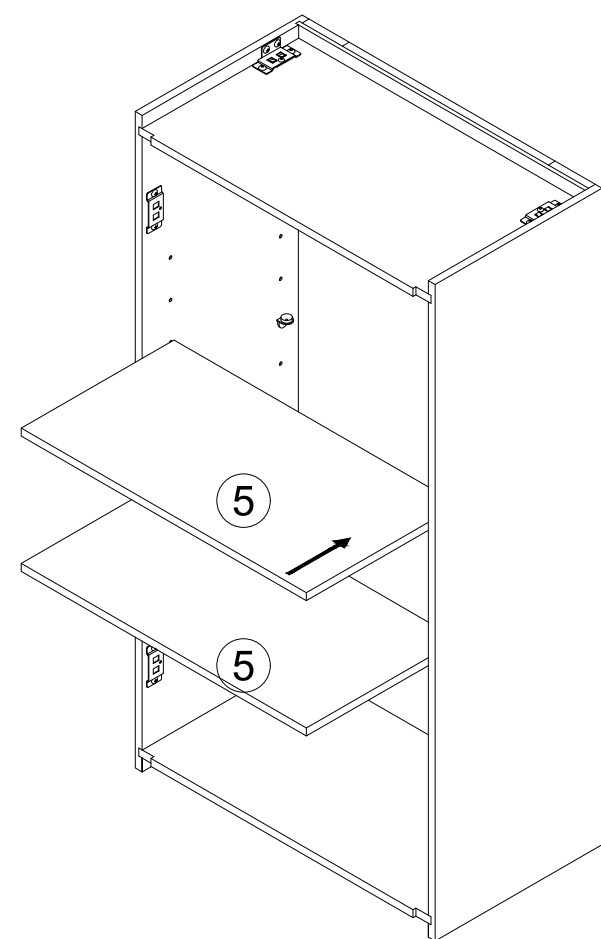
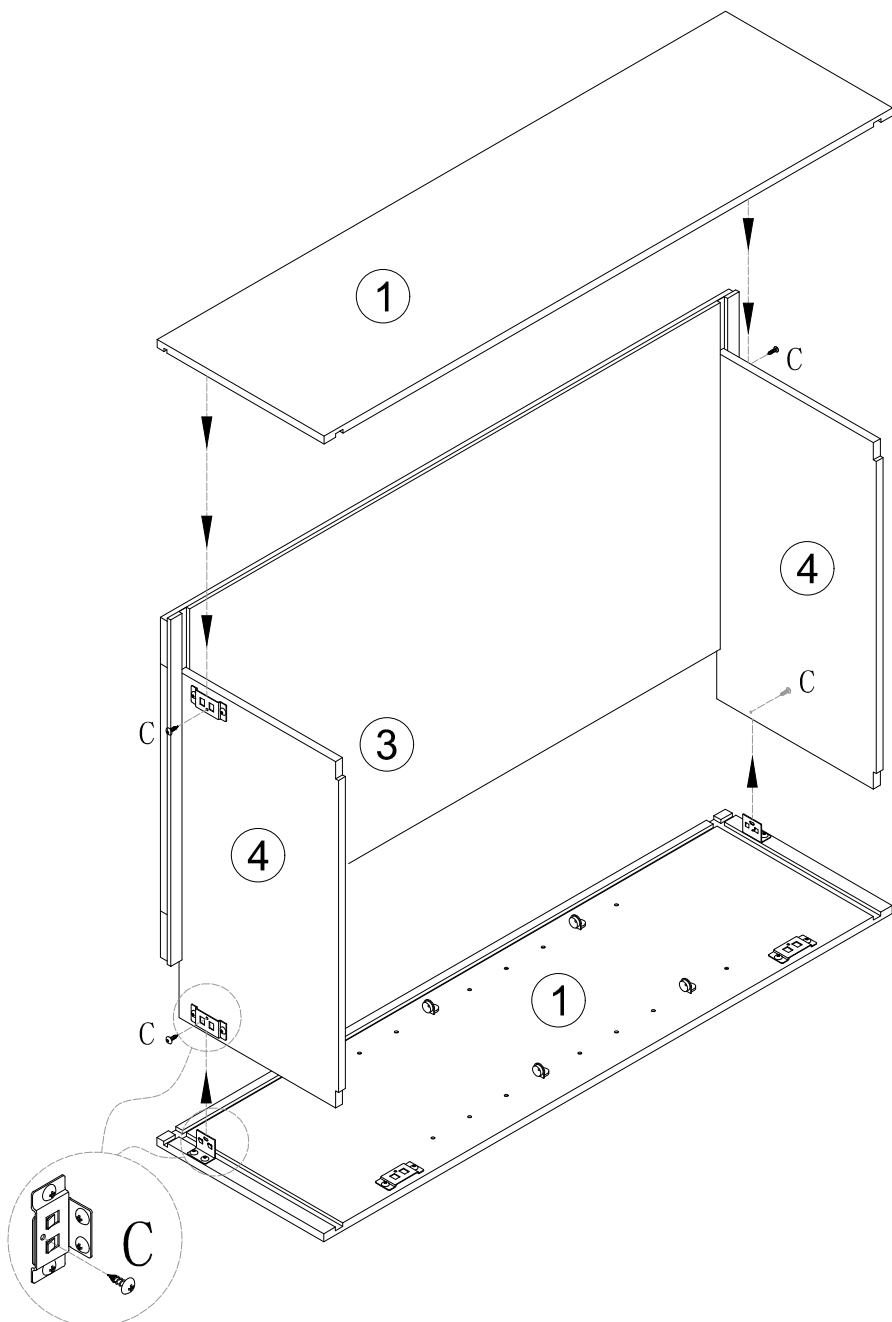
4



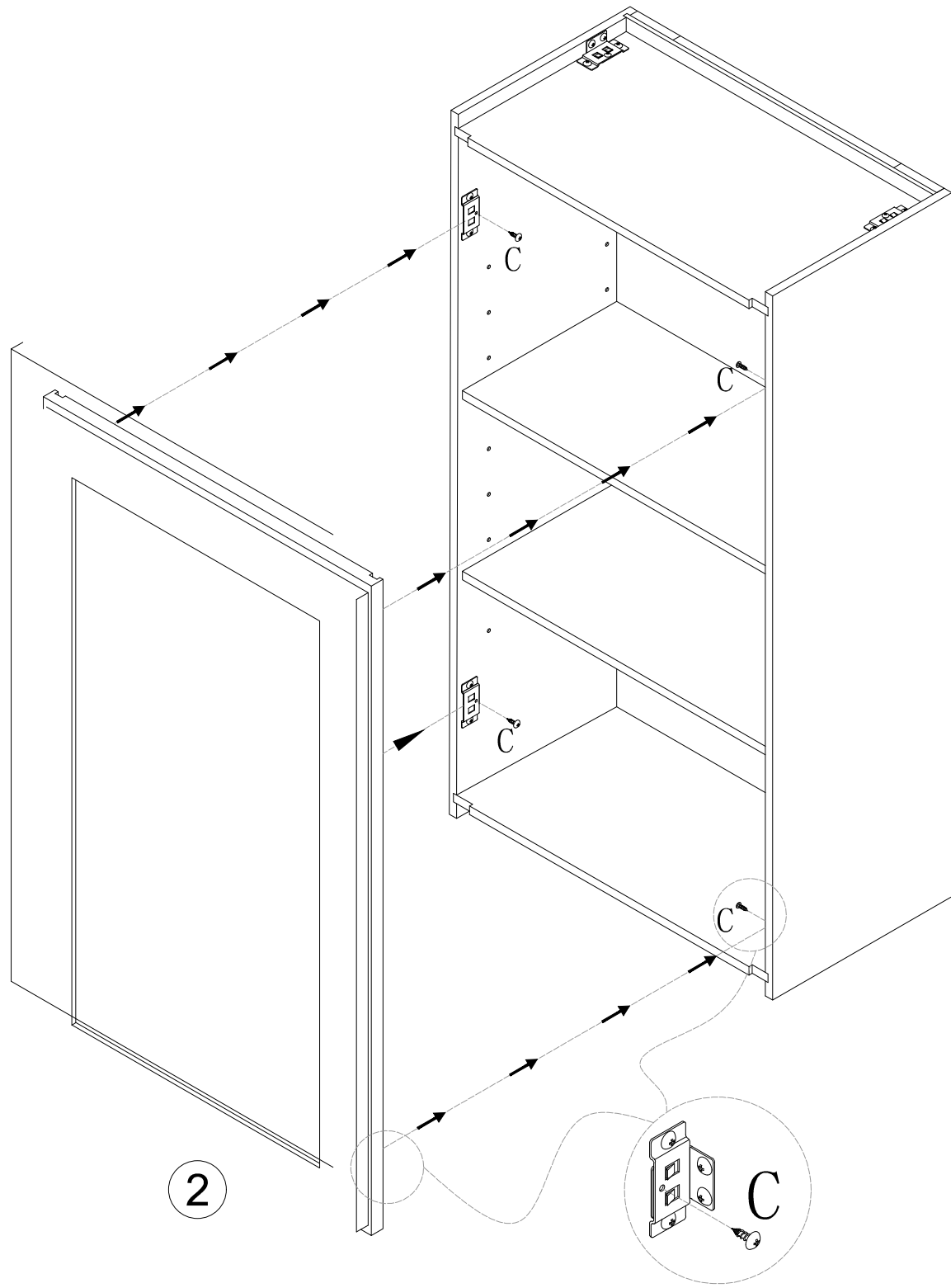
4



## Step 2



Step 3



Finished

